

COMPANY PROFILE



MADHVAK is a single source company offering totally integrated water treatment solutions. Vertical integration combined with 12+ years of expertise (Started in 2009) and knowledge in the water treatment industry places us clearly above industry competition. Our core strength lies in designing customized plants service and assemblies with the use of cutting edge technology.

We are knowledge driven, technology solution provider. The core of our business philosophy revolves around the design solution with integration of latest technology, customizing to retrofit and suit end user's environment and built for sustainable higher quality and better safety

Our Mission is to offer clients a seamless transfer of high technology with high quality through our advanced products and systems. Understanding our client's 3 C's - Challenges, Constraints and Competition enables us to offer turnkey project solutions and expert advice on productivity and maintenance. We specialize in designing customized water & waste water treatment, effluent treatment plants and sewage treatment plants.

Being a truly professional managed company, we boast a team of highly qualified technicians, professionals and trained work force, which are experienced enough to efficiently handle the projects, even within the shortest possible lead time.

Today, our company has perfect combination of technology, human resources and management team, where each one has the commitment to make a strong presence all across the globe.

At Madhvak, we strictly adhere to India/international industry standard as prescribed by WHO, Indian authorities and other register bodies.

When it comes to Water Treatment needs, the choice is **MADHVAK**
Madhvak Technologies caters to the needs of various industries like Hospitals, Hotels Residential Apartments, Commercial Buildings, Malls, Embassies, Bottled Water, Beverages, Automobiles, Pharmaceuticals, globally.

Madhvak Technologies is a reputed name now among the Total Water Solution (R.O., Softener, Industrial Sewage treatment, Domestic Sewage treatment, and Effluent water treatment users **Since 2009**.

LOOKING FOR WATER SOLUTION

WE ARE JUST CALL AWAY

Madhvak Technologies / Water Technology.
Reg Office D-16/187, Sec-7, Rohini, New Delhi -110085
Innovating Water Treatment
Tel: 9953412252 Customer Care : 8586928603.
An ISO: 9001:2015 & MSME Regd. company



SERVICES

Annual Maintenance Contract

- ❖ Comprehensive Maintenance contract
- ❖ Non- Comprehensive Maintenance Contract

Operation & Maintenance Contract

- ❖ Comprehensive contract
- ❖ Non- Comprehensive Contract

On Call Basis Services

- ❖ Plant Inspection
- ❖ Membrane Cleaning
- ❖ Plant Overhauling
- ❖ Spare part Replacement

Retrofits

- ❖ Up-gradation of existing plants for enhancement of quality and quantity.

Automation

- ❖ Various options like PLC based atomization are offered along with P.C. interlinking so as to operate the system from central remote control room. The company posses a team of certified, trained technicians and well experienced engineers to successfully commission any water management system.



- ❖ Having professionals with an experience over decade in Water & Waste Water Treatment.
- ❖ Service Reliable.
- ❖ 24 hrs service.
- ❖ Our range spans Drinking Water, Domestic Water, Flushing Water, Process Water and waste water Treatment.
- ❖ Drinking, Domestic and Process Water Treatment – Centralised RO Water Purification, Softeners, Filters, Demineralization, UV, Ozonator, etc.
- ❖ Flushing & Waste Water Treatment – Conventional and Modern technology based Sewage Treatment Plants.
- ❖ New Systems & Service can be rendered to all make or types of Water & Waste Water Treatment Plants.
- ❖ We provide solutions to Drinking Water, Swimming Pools, Sewage Treatment to Zero discharge.
- ❖ We offer everything from Turnkey solutions to Consultancy to Installation to After sales service.

WATER TREATMENT SYSTEM:



The range of Water Treatment Plants comprises:

- ❖ Sand Filters.
- ❖ Activated Carbon Filters.
- ❖ Iron Removal Filters.
- ❖ Softening Plant.
- ❖ De-Mineralisation Plant.
- ❖ Mixed Bed Plants.
- ❖ Reverse Osmosis (R.O) Plants.
- ❖ Ultrafiltration (UF) Plants.
- ❖ Ultraviolet systems.
- ❖ Ozonator.
- ❖ Micron Cartridge Filters.
- ❖ Dosing systems.



Madhvak Technologies / Water Technology.
Reg Office D-16/187, Sec-7, Rohini, New Delhi -110085
Innovating Water Treatment
Tel: 9953412252 Customer Care : 8586928603.
An ISO: 9001:2015 & MSME Regd. company

CONSUMABLES & SPARES

The Range of Consumables & spares, we deal in, are:

- ❖ Resins
- ❖ Membranes
- ❖ Antiscalant
- ❖ Pumps
- ❖ RO Cleaning chemicals
- ❖ Filtering Media.
- ❖ Activated Carbon.
- ❖ Water Treatment Chemicals.
- ❖ Swimming Pool Accesories.

INSTRUMENTS

- ❖ Electric Panel
- ❖ Micro-Processor base Electrical Panel
- ❖ On-Line Conductivity Meter
- ❖ Pen Type TDS Meter
- ❖ On-Line pH Meter
- ❖ Pen Type pH Meter
- ❖ On-Line ORP Meter
- ❖ On-Line Digital Flow Meter
- ❖ Chemical Dosing Pump

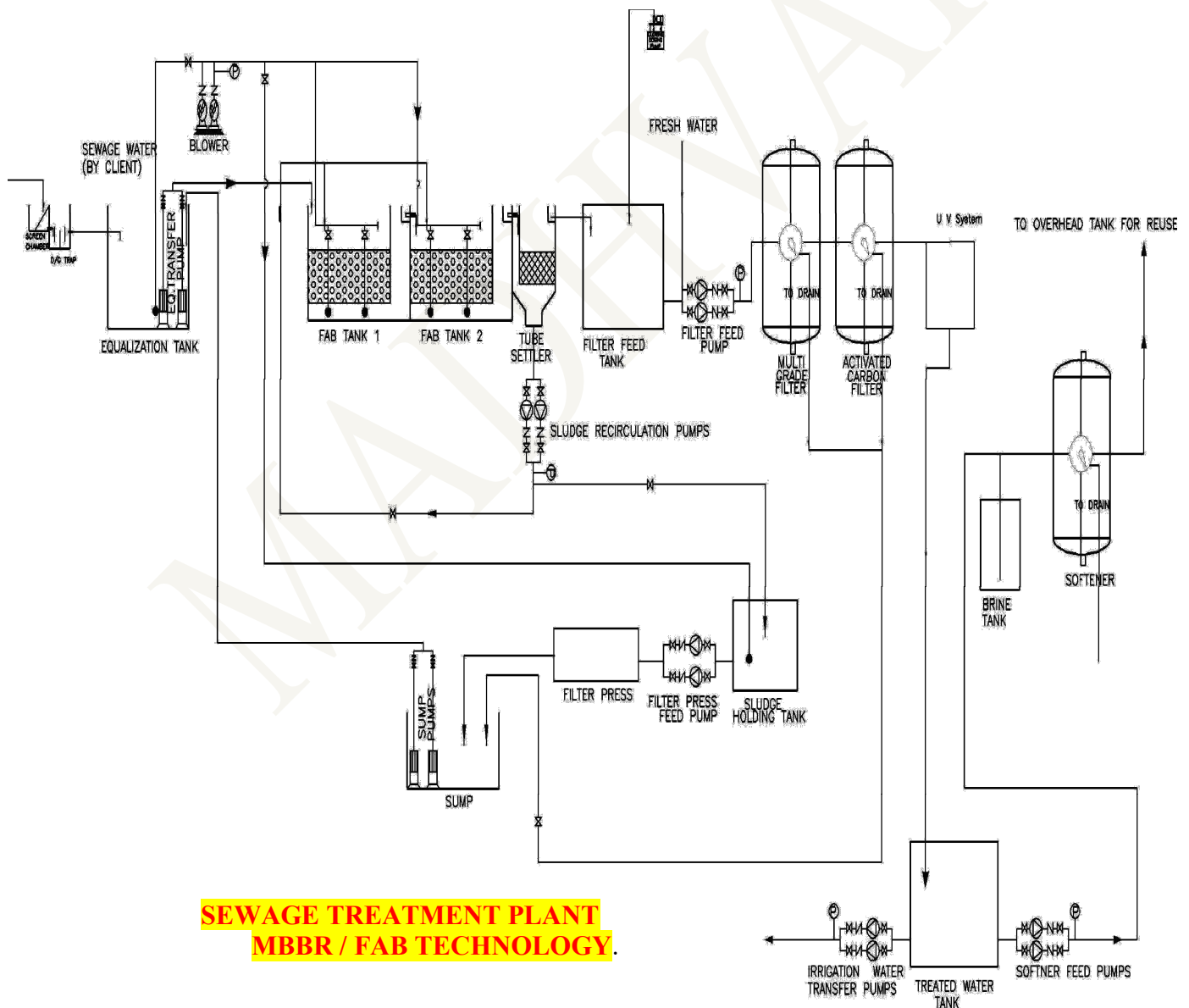


WASTE WATER TREATMENT PLANTS

The range of Waste Water Treatment Plants comprises:

- ❖ **Sewage Treatment Plant**
 - Conventional
 - FAB (Fluidized Aerobic Bio reactor)
 - MBBR (Moving Bed Bio Reactor)
 - SAFF (Sub merged Air Fixed Film Floatation)

- ❖ **Effluent Treatment Plant**



SEWAGE TREATMENT PLANT MBBR / FAB TECHNOLOGY.

Madhvak Technologies / Water Technology.
Reg Office D-16/187, Sec-7, Rohini, New Delhi -110085
Innovating Water Treatment
Tel: 9953412252 Customer Care : 8586928603.
An ISO: 9001:2015 & MSME Regd. company